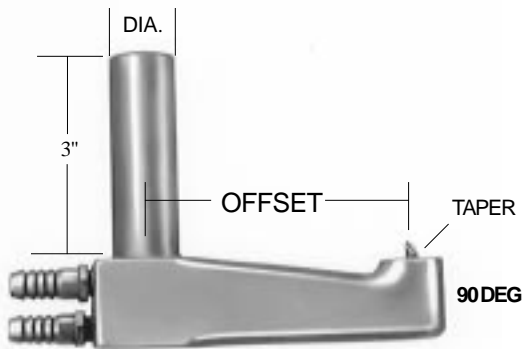


REVERSE OFFSET HOLDERS

90 DEGREE REVERSE OFFSET HOLDERS NON-EJECTOR TYPE



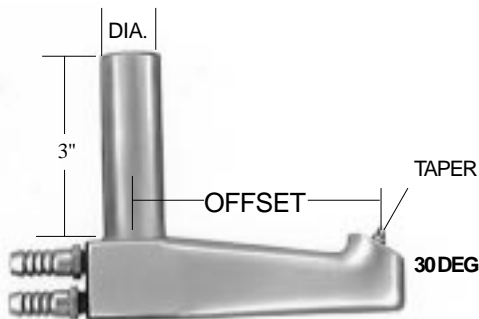
4 RW
Taper
(#1 MT)

Part Shank	Offset	Shank Diameter
T-122-R	2	7/8
T-123-R		1
T-124-R		1-1/4
T-132-R	4	7/8
T-133-R		1
T-134-R		1-1/4

5 RW
Taper
(#2 MT)

T-127-R	2	7/8
T-128-R		1
T-129-R		1-1/4
T-137-R	4	7/8
T-138-R		1
T-139-R		1-1/4

30 DEGREE REVERSE OFFSET HOLDERS NON-EJECTOR TYPE



4 RW
Taper
(#1 MT)

Part Number	Offset	Shank Diameter
T-141-R	2	3/4
T-142-R		7/8
T-143-R		1
T-144-R		1-1/4
T-152-R	4	7/8
T-153-R		1
T-154-R		1-1/4

5 RW
Taper
(#2 MT)

T-147-R	2	7/8
T-148-R		1
T-149-R		1-1/4
T-157-R	4	7/8
T-158-R		1
T-159-R		1-1/4