



HOLDERS
(950 SERIES PADDLE) WATER COOLED

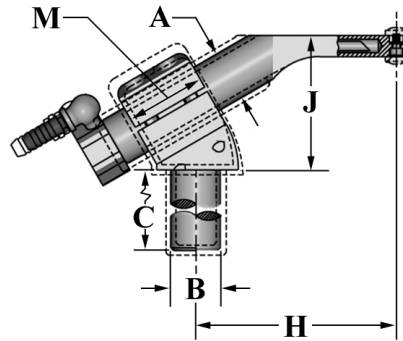
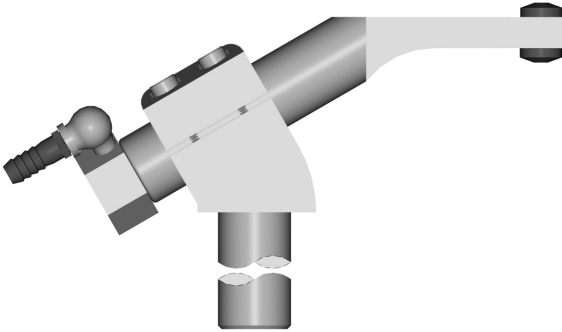
FEATURES AND SPECIFICATIONS

Features and Benefits

- Paddle type universal holder for light duty applications
- Ideal for small hard to reach jobs
- Button electrode can be on top or bottom
- Supplied with "T" connector

Use With

- 18-97X series button electrodes



ORDERING INFORMATION AND DIMENSIONS

A	B	PART NO.	C	H	J	M
BARREL DIA.*	SHANK DIA.*	HOLDER ASSEMBLY	SHANK LENGTH*	OFFSET RANGE*	HEIGHT RANGE*	"T" HEAD WIDTH*
1	7/8	18-952	3	3-3/8 to 5-3/32	2-1/16 to 3-1/16	1-1/2
	1	18-953				
1-1/4	1-1/4	18-954	3-1/2	4 to 5-23/32	2-3/4 to 3-3/4	1-3/4
1-1/2	1-1/2	18-955	4	4-7/32 to 5-15/16	2-7/8 to 3-7/8	2

*DIMENSIONS (In inches)

HOLDERS