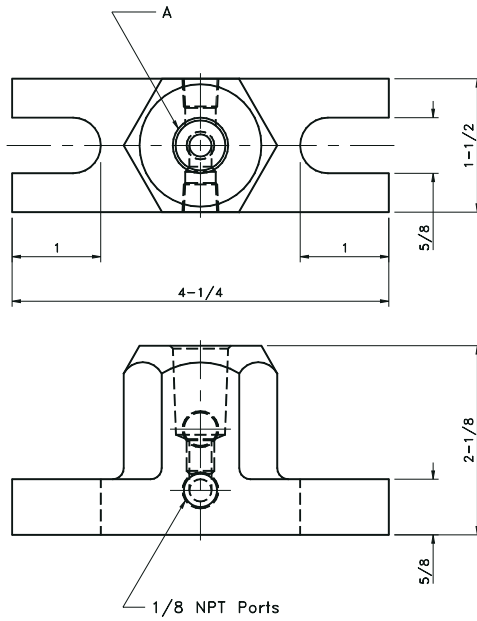


## PLATEN ADAPTERS

Tipaloy platen adapters make it possible to use press type welders for a wider range of applications, including stud and nut welding, single spot welding, and special fixture components. Both sizes match RWMA T-slot spacing.

### T-8000 SERIES

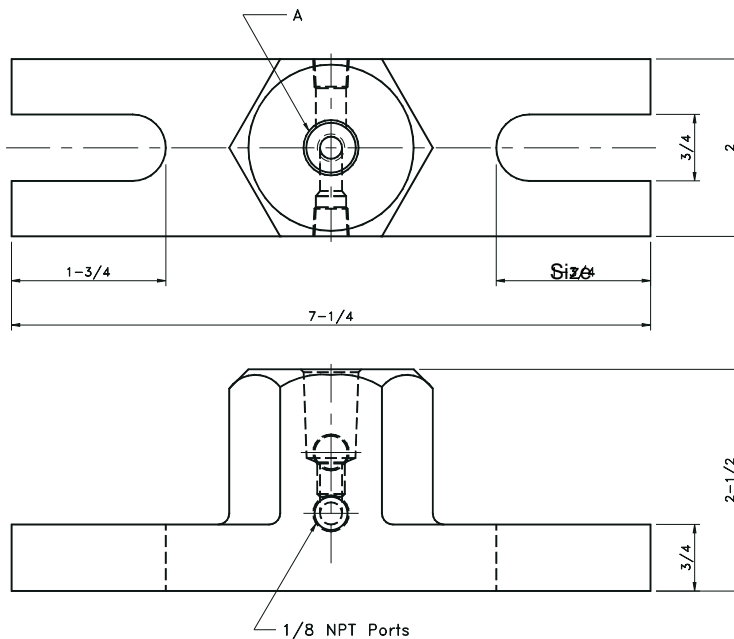
Use T-8000 series for 3-1/2" centerline



Part Number	Taper or Thread Size A
T-8001	4 RW (#1 MT)
T-8002	5 RW (#2 MT)
T-8003	6 RW -
T-8004	7 RW (#3 MT)
T-8005	SPECIAL 7RW
T-8006	1/2" NPT
T-8007	5/8" NPT
T-8008	3/4" NPT
T-8009	7/8-14 NPT
T-8010	1-14 NPT
T-8012	7/8-9 NC
T-8013	5/8-11 NC
T-8014	3/4-10 NC

### T-8100 SERIES

Use T-8100 series for 5" - 6" centerline



Part Number	Taper or Thread A
T-8102	5 RW (#2 MT)
T-8103	6 RW -
T-8104	7 RW (#3 MT)
T-8105	SPECIAL 7RW
T-8106	1/2" NPT
T-8107	5/8" NPT
T-8108	3/4" NPT
T-8109	7/8-14 NPT
T-8110	1-14 NPT
T-8111	T-230SERIES
T-8112	7/8-9 NC
T-8113	5/8-11 NC
T-8114	3/4-10 NC

PLATEN ADAPTERS