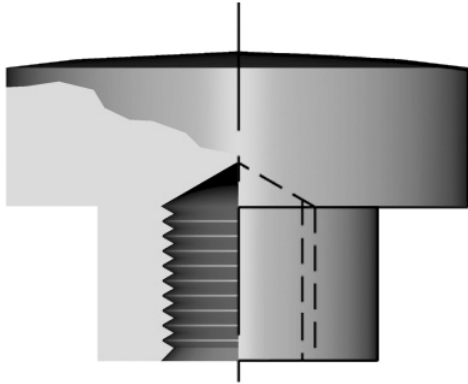




SOCKET (or BUTTON) ELECTRODES
RADIUS FACE

FEATURES AND SPECIFICATIONS



Features and Benefits

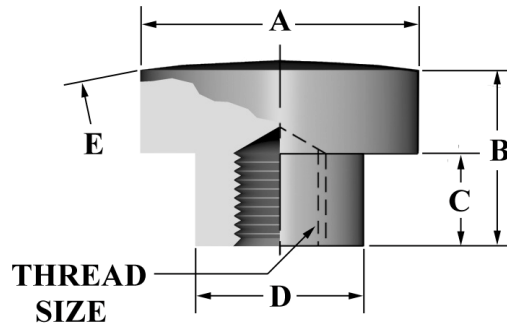
- Button type electrodes
- CMW®28, CMW®3, or CMW®100
- Used in tight fitting locations where larger electrodes will not fit

Use With

- Series 900 and 950 holders

Mechanical

- CMW®28 - high conductivity
- CMW®3 - Good balance of conductivity and hardness
- CMW®100 - High hardness



ORDERING INFORMATION AND DIMENSIONS

THREAD SIZE	MATERIAL	PART NO.	A	B	C	D	E
#10-32	CMW 28	18-972	9/16	3/8	3/16	0.341	2
	CMW 3	18-982					
	CMW 100	18-992					

ELECTRODES
SPECIALTY