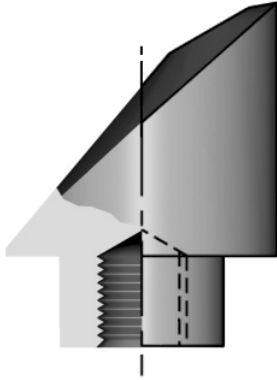




SOCKET (or BUTTON) ELECTRODES  
30° OFFSET FACE

**FEATURES AND SPECIFICATIONS**



**Features and Benefits**

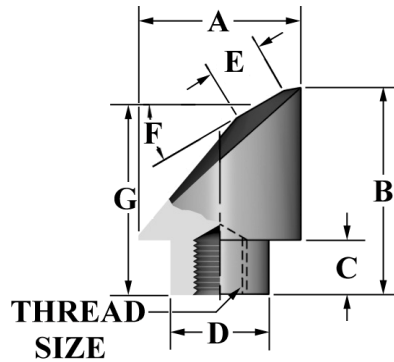
- Button type electrodes
- CMW®28, CMW®3, or CMW®100
- Used in tight fitting locations where larger electrodes will not fit

**Use With**

- Series 900 and 950 holders

**Mechanical**

- CMW®28 - high conductivity
- CMW®3 - Good balance of conductivity and hardness
- CMW®100 - High hardness



**ORDERING INFORMATION AND DIMENSIONS**

THREAD SIZE	MATERIAL	PART NO.	A	B	C	D	E	F	G
#10-32	CMW 28	18-974	9/16	3/8	3/16	0.341	3/16	30 (degrees)	21/32
	CMW 3	18-984							
	CMW 100	18-994							

ELECTRODES  
SPECIALTY