



FEATURES AND SPECIFICATIONS

Features and Benefits

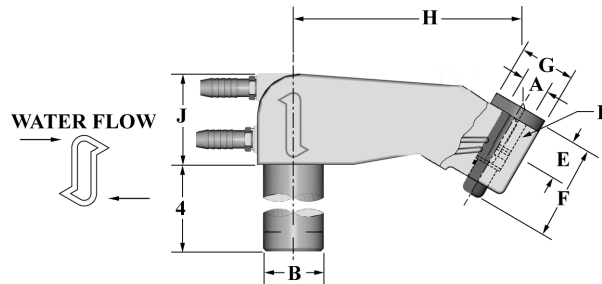
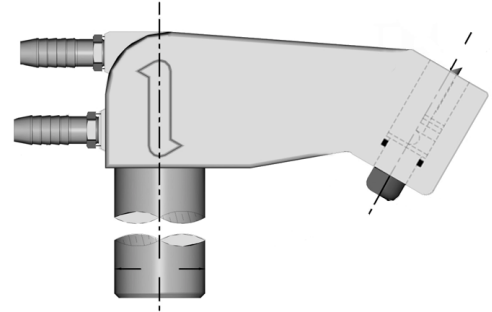
- Heavy duty holder
- For demanding applications
- 30° for hard to reach areas

Use With

- All standard electrodes

Mechanical

- RWMA 5 & 7 tapers



ORDERING INFORMATION AND DIMENSIONS

D	ANGLE OF HEAD	A	B	PART NO.	E	F	G	H	J	I1
RWMA TAPER		MAJOR TAPER DIA.*	SHANK DIA.*	HOLDER ASSEMBLY	STANDARD TAPER ENGAGEMENT*	HEAD HEIGHT*	HEAD DIA.*	C.L. SHANK OFFSET*	HEAD THICKNESS*	SLIDING TUBE (REPLACEMENT PART)
5	30°	0.625	1	18-562	3/4	1-13/16	1-5/16	4	1-7/8	18-40043-3
			1-1/4	18-563						
			1-1/2	18-564						
7	30°	0.875	1-1/4	18-565	1-1/8	2-7/32	1-9/16	4	1-7/8	18-40043-3
			1-1/2	18-566						

*DIMENSIONS (in inches)

HOLDERS