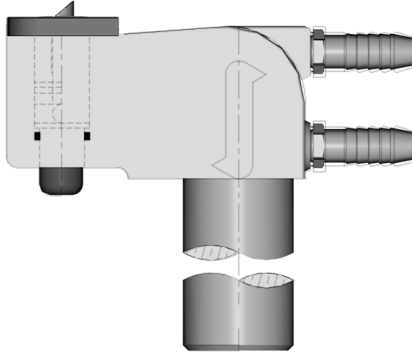




**HOLDERS WITH THREADED ADAPTERS (EJECTOR)
(500 SERIES PREMIUM) WATER COOLED OFFSET 90°**

FEATURES AND SPECIFICATIONS



Features and Benefits

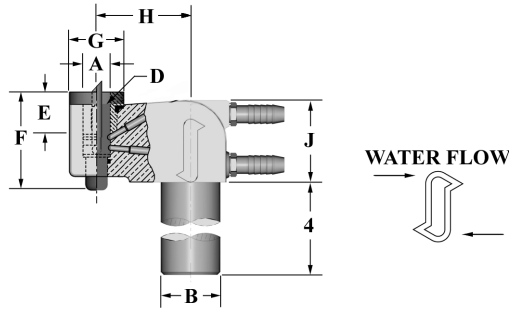
- Heavy duty offset holder
- For demanding applications

Use With

- 18-7875, 18-7876 threaded adapters

Mechanical

- Use with inter-changeable threaded adapters



ORDERING INFORMATION AND DIMENSIONS

D	A	B	H	PART NO.	J	E	F	G	11	PART NO.
RWMA TAPER	MAJOR TAPER DIA.*	SHANK DIA.*	C.L. SHANK OFFSET*	HOLDER ASSEMBLY*	HEAD THICKNESS*	STANDARD TAPER ENGAGEMENT*	HEAD HEIGHT*	HEAD DIA.*	SLIDING TUBE (REPLACEMENT PART)	THREADED ADAPTER
5	0.625	1-1/4	2	18-5035	1-23/32	3/4	1-13/16	1-1/4	18-40043-3	18-7875
			4	18-5235						
		1-1/2	2	18-5045						
			4	18-5245						
6	0.750	1-1/4	2	18-5036	7/8	1-15/16	1-1/4	18-40043-3	18-7876	
			4	18-5236						
		1-1/2	2	18-5046						
			4	18-5246						

*DIMENSIONS (in inches)

HOLDERS