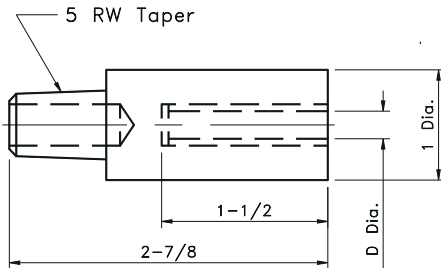


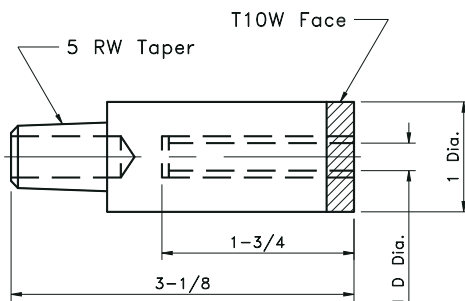
STUD & NUT ELECTRODES

STUD & NUT ELECTRODES

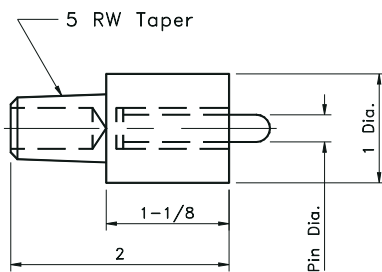
T-600 SERIES



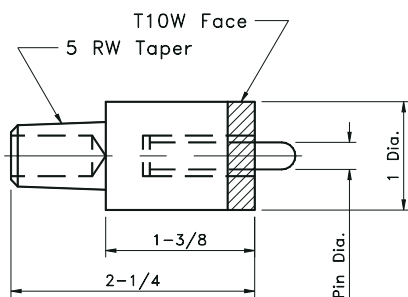
T-600-CT SERIES



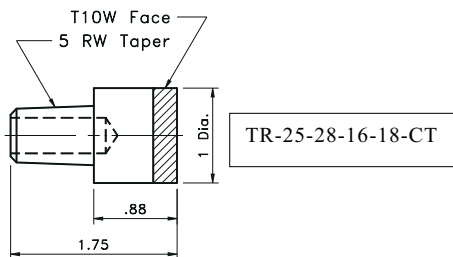
T-610 SERIES



T-610-CT SERIES



UPPER ELECTRODE - CT FACED



STUD ELECTRODES - 5RW TAPER

PART #	PART #	PART #	STUD SIZE & DIA.	
ALLOY #130	ALLOY #130 WITH T-10W FACE	ALLOY #200		
T-601	T-601-CT	T-701	#8	.164 DIA.
T-602	T-602-CT	T-702	#10	.190 DIA.
T-603	T-603-CT	T-703	#12	.216 DIA.
T-604	T-604-CT	T-704	1/4	.250 DIA.
T-605	T-605-CT	T-705	5/16	.312 DIA.
T-606	T-606-CT	T-706	3/8	.164 DIA.
T-607	T-607-CT	T-707	7/16	.164 DIA.

METRIC STUD ELECTRODES - 5RW TAPER

PART #	PART #	PART #	STUD SIZE & DIA.	
ALLOY #130	ALLOY #130 WITH T-10W FACE	ALLOY #200		
T-606MM	T-606MM-CT	T-706MM	6MM	.236 DIA.
T-608MM	T-608MM-CT	T-708MM	8MM	.316 DIA.
T-6010MM	T-6010MM-CT	T-7010MM	10MM	.394 DIA.

SELF PILOTING NUT ELECTRODES - 5RW TAPER

PART #	PART #	PART #	NUT SIZE	PIN DIA	PILOT PIN HEIGHT
ALLOY #130	ALLOY #130 WITH T-10W FACE	ALLOY #200			
T-611	T-611-CT	T-711	#8-32	.126 DIA.	3/16
T-612	T-612-CT	T-712	#10-24	.144 DIA.	3/16
T-613	T-613-CT	T-713	#12-24	.170 DIA.	1/4
T-614	T-614-CT	T-714	1/4-20	.187 DIA.	5/16
T-615	T-615-CT	T-715	5/16-18	.250 DIA.	5/16
T-616	T-616-CT	T-716	3/8-16	.312 DIA.	3/8
T-617	T-617-CT	T-717	7/16-14	.355 DIA.	3/8
T-618	T-618-CT	T-718	1/2-13	.414 DIA.	3/8

METRIC NUT ELECTRODES - 5RW TAPER

PART #	PART #	PART #	STUD SIZE & DIA.	
ALLOY #130	ALLOY #130 WITH T-10W FACE	ALLOY #200		
T-616MM	T-616MM-CT	T-716MM	6MM	.188 DIA.
T-618MM	T-618MM-CT	T-718MM	8MM	.260 DIA.
T-6110MM	T-6110MM-CT	T-7110MM	10MM	.328 DIA.

Stepped pins are also available, please supply us with a print, sample or consult factory.

